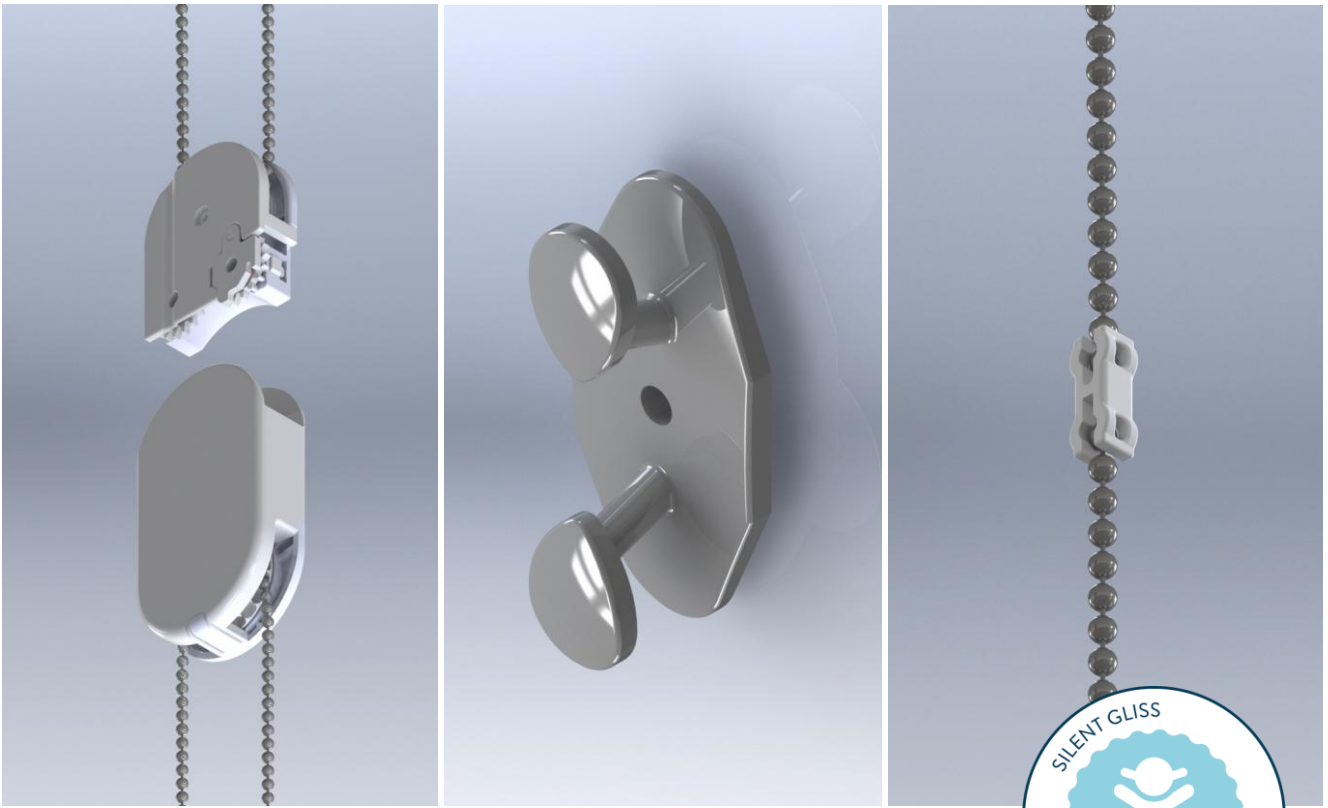


# Child Safety Instructions

May 2025



Silent Gliss® Child Safety



Copyright by Silent Gliss International Ltd., 3006 Berne (Switzerland)  
Realised by Silent Gliss International, Group Headquarters

## CONTENT

### General information

1	Introduction	.....	4
2	Lengths of operating cords / chains	.....	4
3	Measure sheets	.....	5

### Technical changes

4	Cord operated curtain track systems	.....	6
5	Panel glide systems	.....	7
6	Pleated blind systems	.....	8
7	Roller blind systems	.....	11
8	Roman blind systems	.....	14
9	Venetian blind systems	.....	23
10	Vertical blind systems	.....	26

## 1. Introduction

This guide contains additional, technical information in regards to the product groups affected by the new legislation EN 13120. The following pages show the necessary changes (parts being replaced, new parts, new fitting/assembling drawings, Child Safety solution, etc.) in detail split up by product group. General information and explanations are to be found in the Silent Gliss Child Safety Practice Guide.



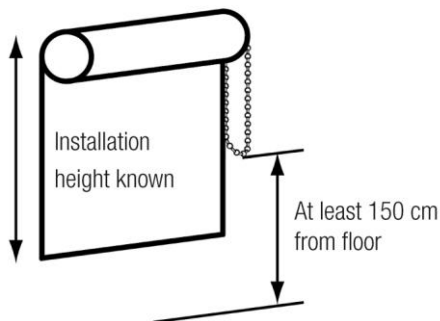
The information in this brochure supersedes all divergent instructions in the fitting and assembling manuals!

## 2. Lengths of operating cords and chains

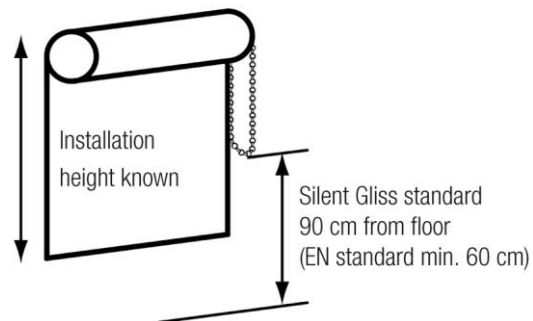
To ensure compliance with the new legislation it is critical to know the fitting height! With all the information required, the allowed cord or chain drop can be calculated.

### Fitting height known

Maximum operating cord length – fixed tensioning systems



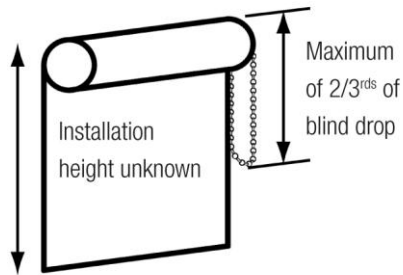
Maximum operating cord length – breakaway systems



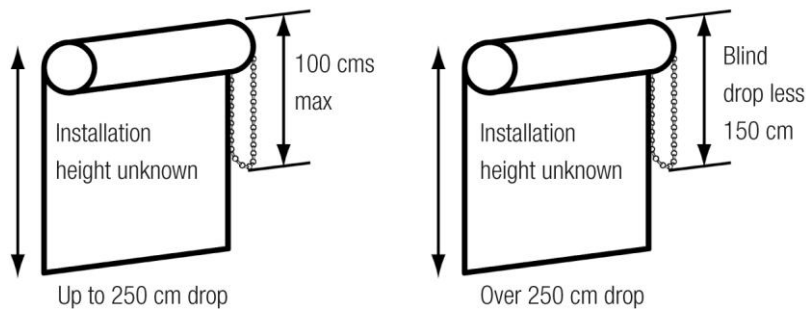
### Fitting height unknown

Silent Gliss undertook all measures (amended measures / ordering sheets, etc.) so the fitting height should always be known. In rare cases when fitting height is “not known”, the legislation gives clear direction as to what drop is allowed:

Maximum operating cord length – breakaway systems



Maximum operating cord length – fixed tensioning systems



**Please note:**

- Silent Gliss **strongly recommends** defining chain/cord height according to fitting height!
- Not supplying an installation height may have implications for fitting.
- For all cord operated systems, approx. **10 cm of cord shall be deducted** because of cord tension!
- If fitting height is not indicated, the system will be assembled according to standard DIN EN 13120. This will have implications for fitting. The cord or chain could either be too long, thus not in compliance with DIN EN 13120, or too short and therefore it could be difficult to operate the system.

### 3. Measure sheets

The new legislation means that the details and accuracy of the information supplied by customers when ordering becomes even more important.



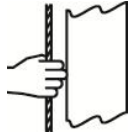

Measure sheets have to be updated to request the **fitting height** of the blind or track!

The fitting height is critical to determine the cord or chain drop, without it, the 'not known' default will be applied. The measure sheets also request whether the **Silent Gliss Child Safety Device or Chain Break Connector** is required (where applicable). If this option is not chosen then the system will default to the standard child safety element.

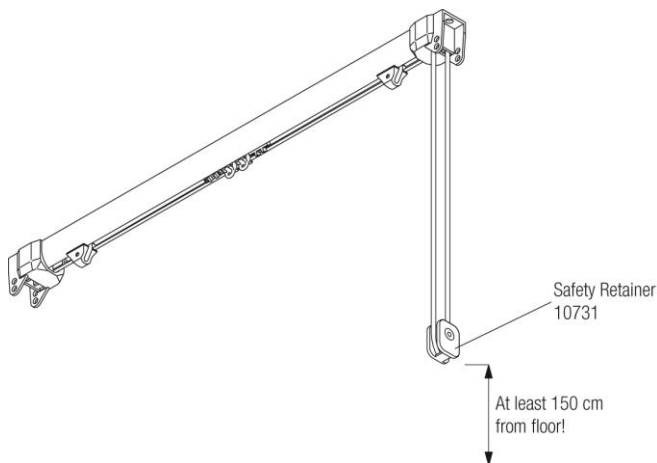
## Technical changes to Silent Gliss product groups

### 4. Cord operated curtain track systems

#### 4.1 Overview

Product Group :	Cord Operated Curtain Track Systems							
Systems:	SG 1014	SG 3000	SG 3840	SG 3870	SG 3900	SG 3970	SG 6370	
<b>Standard parts</b> (compliant with EN 13120)								
	<b>SG 1014</b>	<b>SG 3000</b>	<b>SG 3840</b>	<b>SG 3870</b>	<b>SG 3900</b>	<b>SG 3970</b>	<b>SG 6370</b>	
 <b>SG 10731</b>	✓	✓	✓	✓	✓	✓	✓	

#### 4.2 Cord operated curtain tracks with fixed tensioner “Safety Retainer SG 10731”



**Please note:**

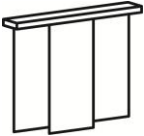

- System has to be installed so cord with Safety Retainer SG 10731 ends **at least 150 cm above floor!**
- Approx. **10 cm of cord shall be deducted** because of cord tension!

**Applicable with:**

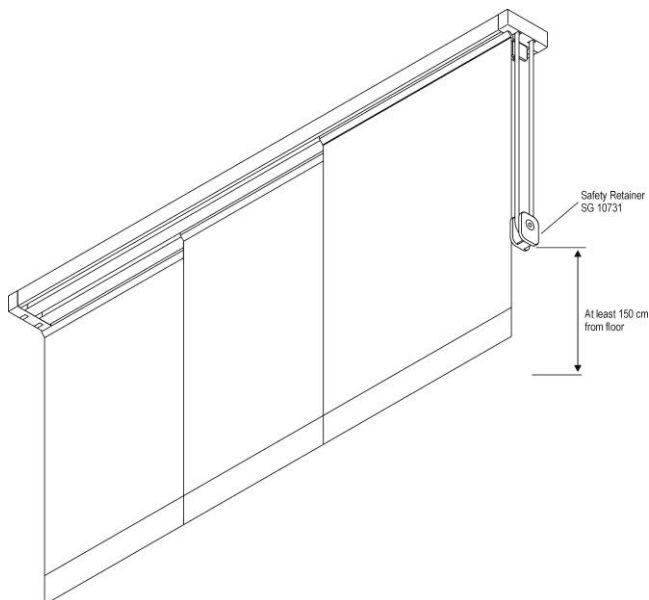
SG 1014  
 SG 3000  
 SG 3840  
 SG 3870  
 SG 3900  
 SG 3970  
 SG 6370

## 5. Panel glide systems

### 5.1 Overview

Product Group :	Panel Glide Systems	
Systems:	SG 2710	
<b>Standard parts</b> (compliant with EN 13120)		
	<b>SG 2710</b>	
 SG 10731	✓	

### 5.2 Panel glides with fixed tensioner “Safety Retainer SG 10731”



**Please note:**







System has to be installed so chain with safety retainer SG 10731 ends **at least 150 cm above floor!**

**Applicable with:**

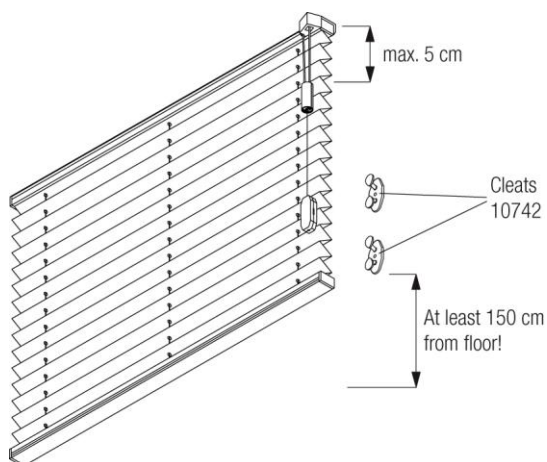
SG 2710 (cord operated)

## 6. Pleated blind systems

### 6.1 Overview

Product Group :	Pleated Blind Systems	
Systems:	SG 8500 AK, BK SG 8500 AO, BO	
<b>Standard parts</b> (compliant with EN 13120)		
	<b>SG 8500 AK, BK</b>	<b>SG 8500 AO, BO</b>
 SG 10731	✓	
 SG 10742		✓
 SG 10745		✓
 SG 10749		✓
 SG 10898		✓

### 6.2 Pleated blinds with cord cleats and breakaway cord connector



**Please note:**

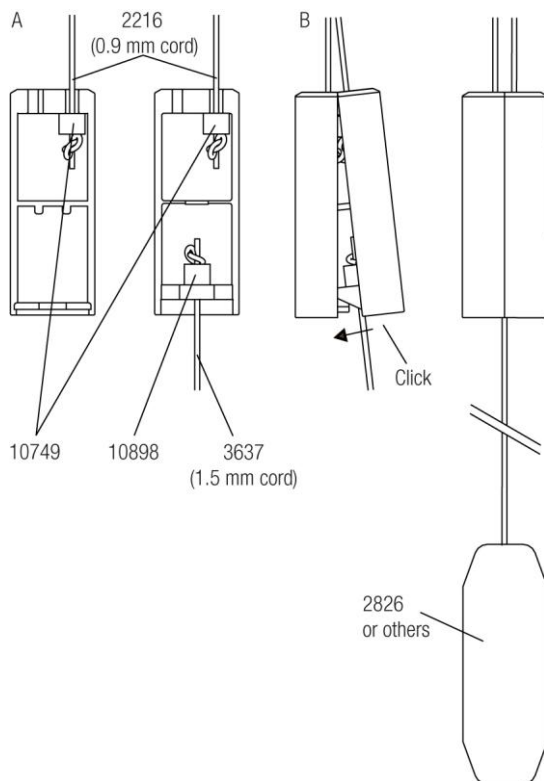
System has to be installed so cord with cord cleats SG 10742 ends **at least 150 cm above floor!**

Distance between headrail and breakaway connector should be **max. 5 cm** when system is completely closed!

**Applicable with:**

SG 8500 AO  
SG 8500 BO

## Threading of the cords with breakaway cord connector SG 10745 (SG 8500 AO BO)



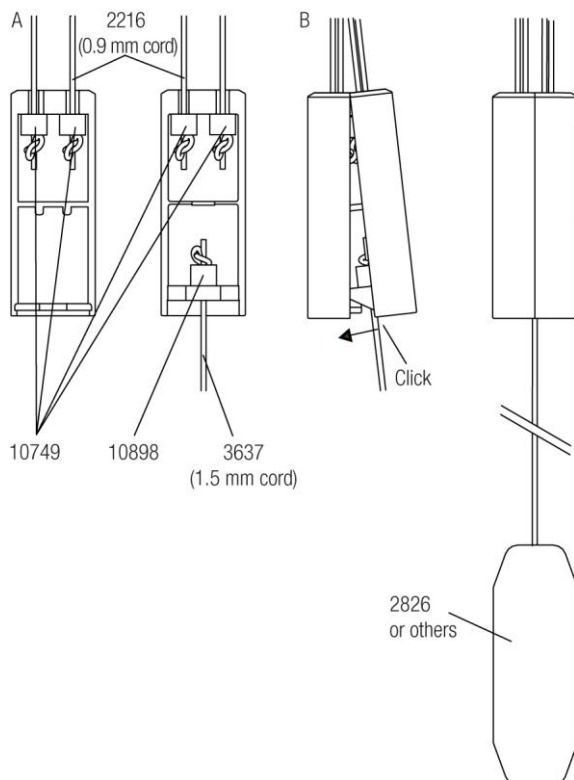
### 2 Cords

#### A

- Cords to be insert into cord connector SG 10745 according to drawing on the left.
- Cords to be threaded into eyelets SG 10749 (0.9 mm cord) and SG 10898 (1.5 mm cord) and then knotted (double knot).
- Eyelets to be insert into gaps.

#### B

- Click both parts of SG 10745 together



### 3-4 Cords

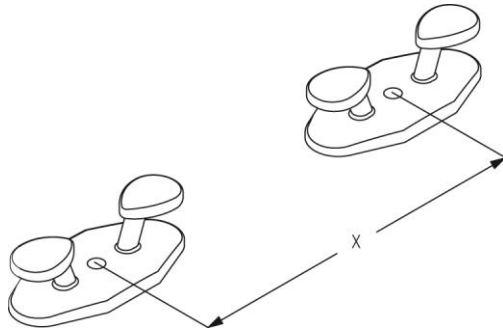
#### A

- Cords to be insert into cord connector SG 10745 according to drawing on the left.
- Cords to be threaded into eyelets SG 10749 (0.9 mm cord) and SG 10898 (1.5 mm cord) and then knotted (double knot).
- Eyelets to be insert into gaps.

#### B

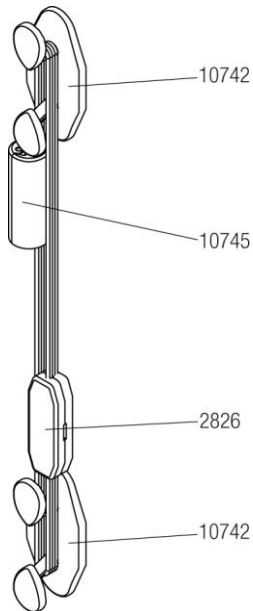
- Click both parts of SG 10745 together

### Recommended cord cleat SG 10742 positions



Product height (mm)	X (mm)
0 – 500	70
501 – 1000	140
1001 – 1500	210
1501 – 1833	280
1834 – 3000	350

### Winding the cords

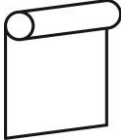






Cords to be winded according to drawing on the left.

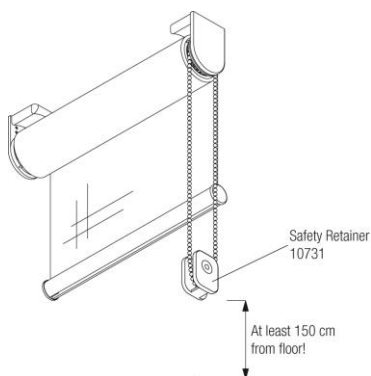
- SG 10742: Cord cleat
- SG 10745: Breakaway connector
- SG 2826: Chain connector

## 7. Roller blind systems

### 7.1 Overview

Product Group :	Roller Blind Systems									
Systems:	SG 4900	SG 4910	SG 4710	SG 4905	SG 4930	SG 4730	SG 4907	SG 4940/4945	SG 4740	
<b>Standard parts</b> (compliant with EN 13120)										
	<b>SG 4900</b>	<b>SG 4905</b>	<b>SG 4907</b>	<b>SG 4910</b>	<b>SG 4930</b>	<b>SG 4940 SG 4945</b>	<b>SG 4710</b>	<b>SG 4730</b>	<b>SG 4740</b>	
 SG 10731		✓	✓	✓	✓	✓	✓	✓	✓	
 SG 10765	✓									
<b>Optional parts</b> (compliant with EN 13120)										
 SG 10482		✓		✓						
 SG 10486				✓						

### 7.2 Roller blinds with fixed tensioner “Safety Retainer SG 10731”



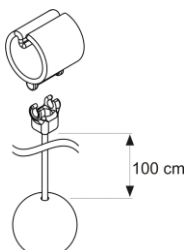
**Please note:**

System has to be installed so chain with safety retainer SG 10731 ends **at least 150 cm above floor!**

**Applicable with:**

SG 4905 SG 4940/4945  
 SG 4907 SG 4710  
 SG 4910 SG 4730  
 SG 4930 SG 4740

### 7.3 Pull ball set SG 10765



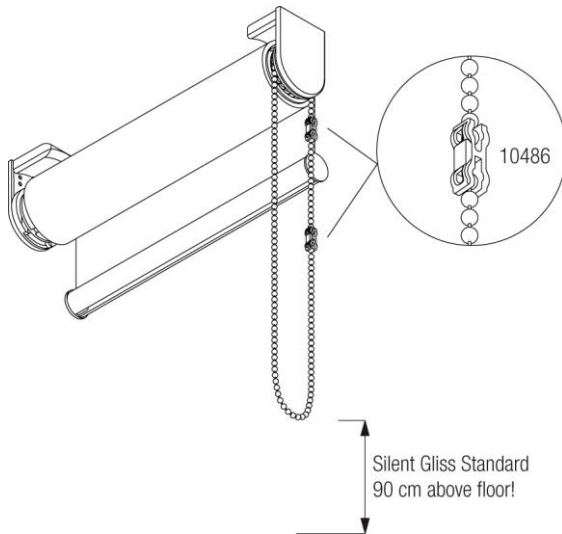
**Please note:**

Cord can be up to **100 cm** long.

**Applicable with:**

SG 4900

#### 7.4 Option: Roller blinds with Chain Break Connector SG 10486

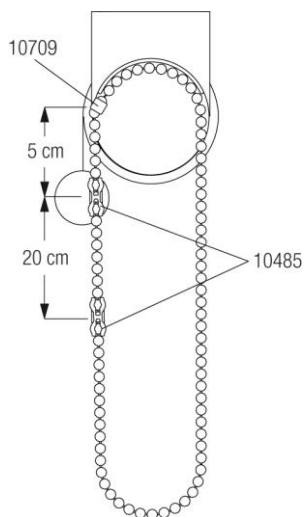


**Please note:**

System has to be installed so chain ends  
**at least 60 cm above floor!**  
 (Silent Gliss standard: 90 cm)

**Applicable with:**

SG 4910



**SG 10486 set:**

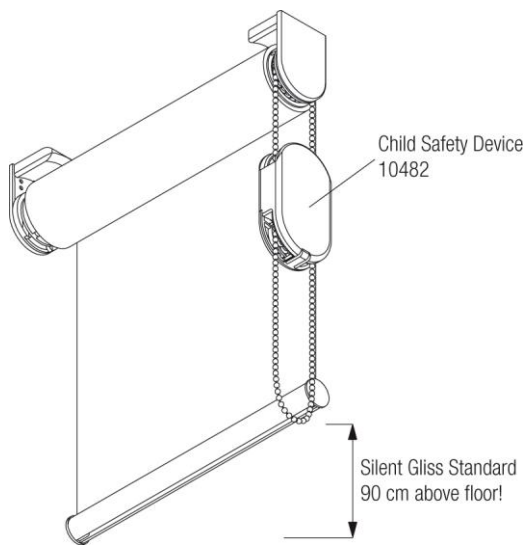
- 2 x Chain Break Connector SG 10485
- 1 x Chain Stop SG 10709
- 1 x Chain (20 cm) SG 10530
- 1 x Warning Booklet

Chain Break Connectors and chain stop to be mounted according to illustration on the left!

**Please note:**

If chain is pulled harshly, the chain break connector may release unwantedly; therefore this option is mainly recommended for private installations!

### 7.5 Option: Roller blinds with breakaway connector “Child Safety Device SG 10482”



**Please note:**


System has to be installed so chain ends  
**at least 60 cm above floor!**  
(Silent Gliss standard: 90 cm)

**Applicable with:**

SG 4905  
SG 4910

## 8. Roman blind systems

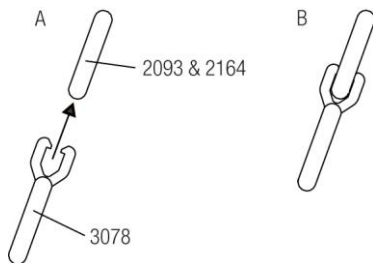
### 8.1 Overview

Product Group :	Roman Blind Systems		
Systems:	SG 2090 SG 2120 SG 2210 SG 2305	SG 2320 SG 2355 SG 2360	

Standard parts (compliant with EN 13120)								
	SG 2090	SG 2120	SG 2210	SG 2305	SG 2320	SG 2355	SG 2360	
 SG 10731		✓	✓					
 SG 2164	✓	✓	✓	✓	✓	✓	✓	
 SG 3069		✓		✓	✓	✓	✓	
 SG 3074	✓	✓	✓	✓	✓	✓	✓	
 SG 3075		✓		✓	✓	✓	✓	
 SG 3076		✓		✓	✓	✓	✓	
 SG 3078	✓	✓	✓	✓	✓	✓	✓	
 SG 2093		✓		✓	✓	✓	✓	
 SG 10742	✓							
 SG 10745	✓							
 SG 2314				✓				
 SG 10749	✓							
 SG 10898	✓							
 SG 10890	✓		✓					
 SG 10899	✓		✓					

## 8.2 Assembling eyelets / hook

### Eyelets soft fold (all systems)



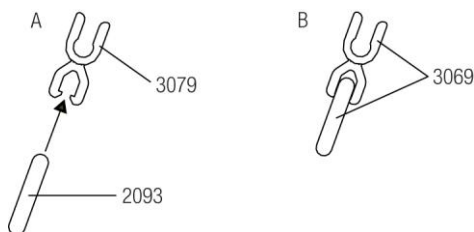
**A**

- Child safety eyelet SG 3078 to be clicked into ring SG 2093 (attached to ring tape SG 2164)

**B**

- Both parts clicked together

### Eyelets hard fold (SG 2120, SG2305, SG 2320, SG 2345, SG 2350)



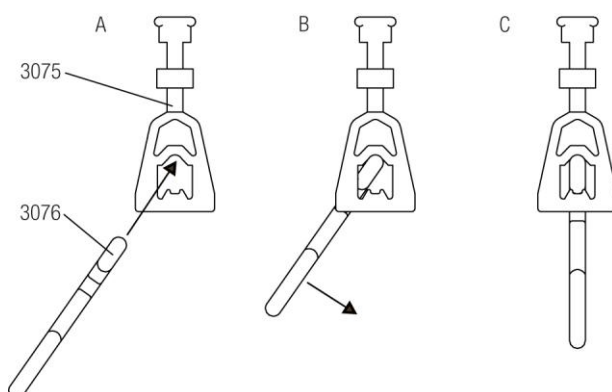
**A**

- Ring SG 2093 to be clicked into holder SG 3079

**B**

- Both parts clicked together = SG 3069

### Hook SG 3075 (SG 2120, SG 2305, SG 2320, SG 2345, SG 2350)



**A**

- Child safety latch SG 3076 to be clicked into child safety hook SG 3075

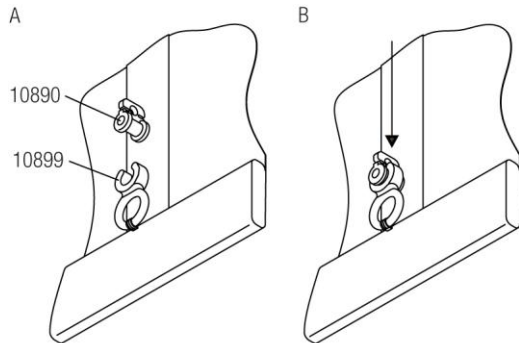
**B**

- Both parts clicked together

**C**

- Move child safety latch SG 3076 so both parts are aligned vertically

**Fastener SG 10890 and safety eyelet SG 10899 (SG 2090, SG 2210)**

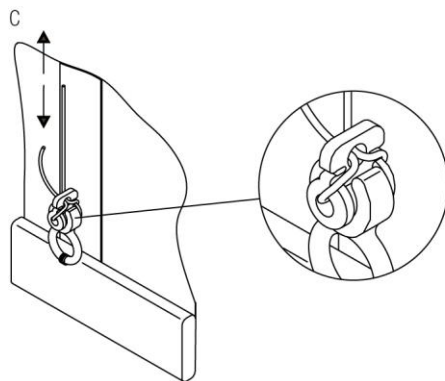


**A**

- Fastener SG 10890 and safety eyelet SG 10899

**B**

- Click both parts together

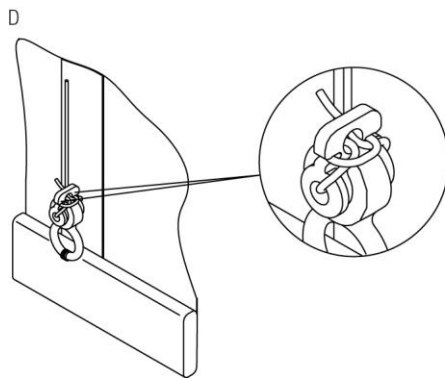


**C**

- Adjust the cord

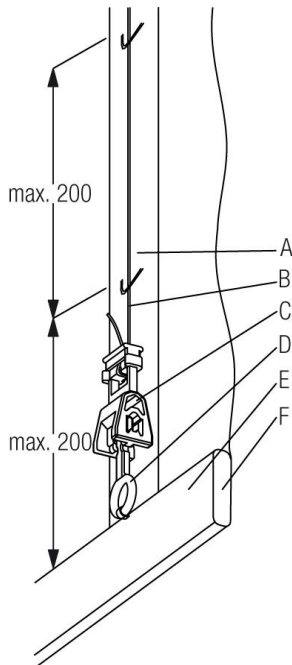
**D**

- Fix the cord in the slots



### 8.3 Curtain making-up

**Soft fold (SG 2120, SG 2305, SG 2320, SG 2345, SG 2350)**

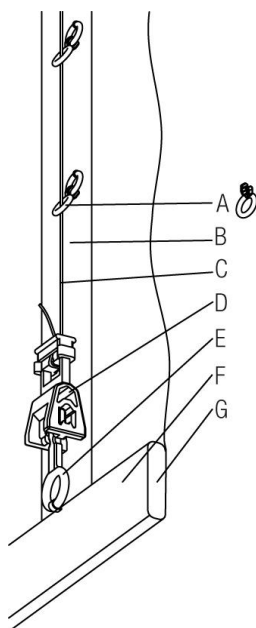


#### **With loop tape SG 3074**

- A: Loop tape SG 3074
- B: Cord SG 2216
- C: Child Safety Hook SG 3075
- D: Child Safety Latch SG 3076
- E: Hollow hem
- F: Bottom weight bar SG 2004

#### **Please note:**

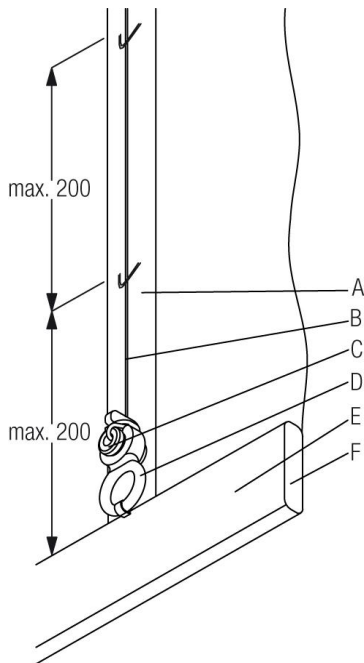
Distance no more than 200 mm in all areas on the rear side of the curtain!



#### **With ring tape SG 2164**

- A: Child Safety Eyelet (soft fold) SG 3078
- B: Ring tape SG 2164
- C: Cord SG 2216
- D: Child Safety Hook SG 3075
- E: Child Safety Latch SG 3076
- F: Hollow hem
- G: Bottom weight bar SG 2004

**Soft fold (SG 2090, SG 2210)**

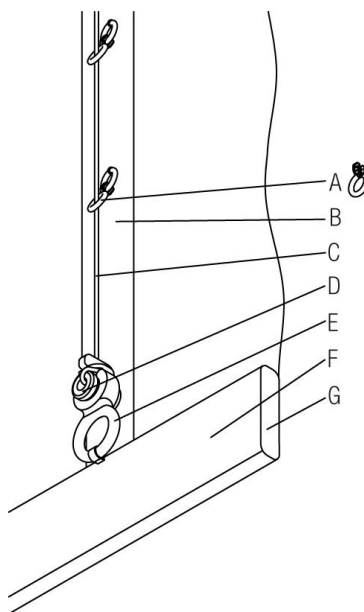


**With loop tape SG 3074**

- A: Loop tape SG 3074
- B: Cord SG 2216
- C: Fastener SG 10890
- D: Safety eyelet SG 10899
- E: Hollow hem
- F: Bottom weight bar SG 2004

**Please note:**

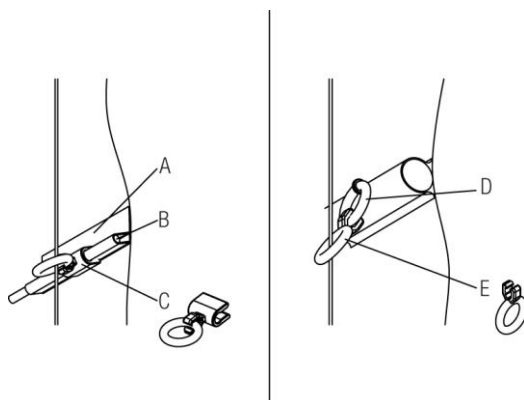
Distance no more than 200 mm in all areas on the rear side of the curtain!



**With ring tape SG 2164**

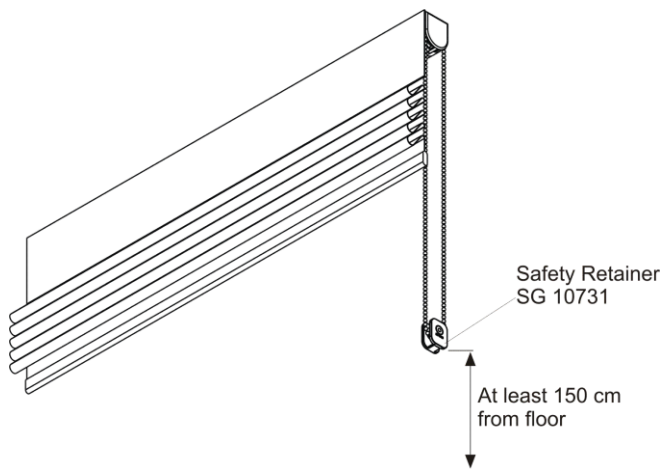
- A: Child Safety Eyelet (soft fold) SG 3078
- B: Ring tape SG 2164
- C: Cord SG 2216
- D: Fastener SG 10890
- E: Safety eyelet SG 10899
- F: Hollow hem
- G: Bottom weight bar SG 2004

**Hard fold (SG 2120, SG 2305, SG 2320, SG 2345, SG 2350)**



- A: Tape SG 2136
- B: Steel rod SG 2135
- C: Child Safety Eyelet (hard fold) SG 3069
- D: Ring SG 2093
- E: Child Safety Eyelet (soft fold) SG 3078

#### 8.4 Roman blinds with fixed tensioner “Safety Retainer SG 10731”



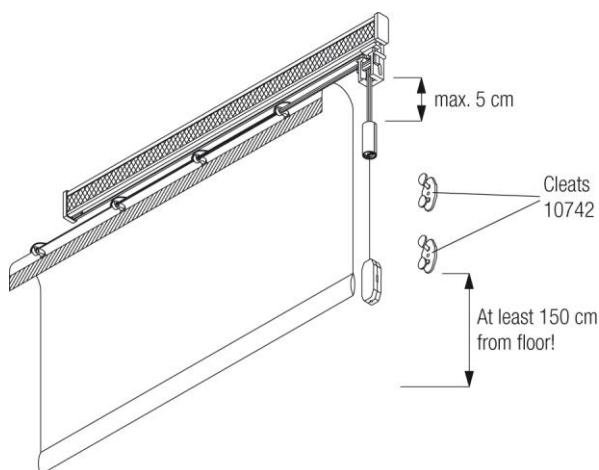
**Please note:**

System has to be installed so chain with safety retainer SG 10731 ends **at least 150 cm above floor!**

**Applicable with:**

SG 2120  
SG 2210  
SG 2320

#### 8.5 Roman blinds with cord cleats and breakaway cord connector



**Please note:**

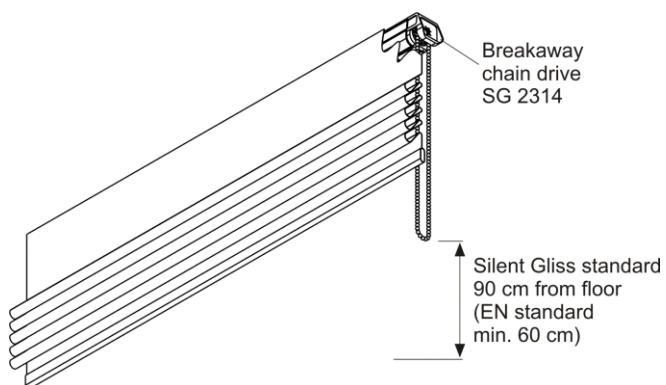
System has to be installed so cord with cord cleats SG 10742 ends **at least 150 cm above floor!**

Distance between headrail and breakaway connector should be **max. 5 cm** when system is completely closed!

**Applicable with:**

SG 2090

#### 8.5 Roman blinds with breakaway chain drive



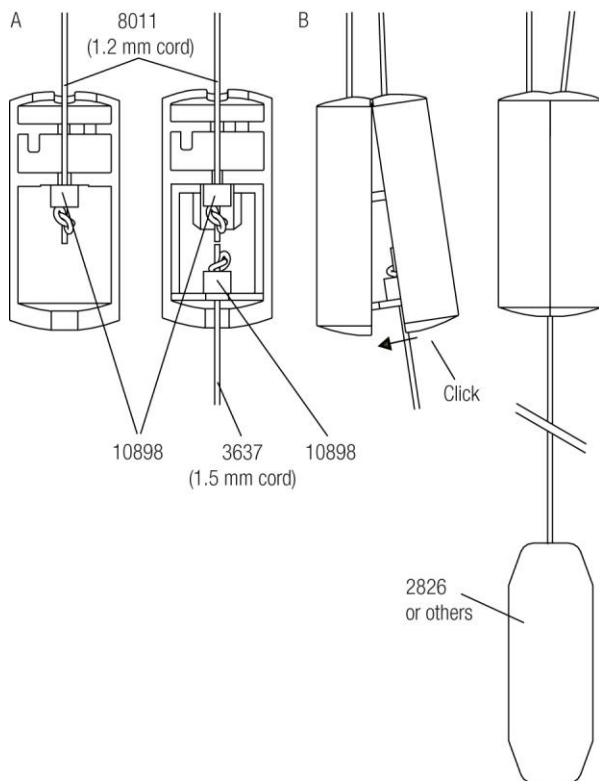
**Please note:**

System has to be installed so chain ends **at least 60 cm above floor!**

**Applicable with:**

SG 2305

### Threading of the cords with breakaway cord connector SG 10748 (SG 2100)



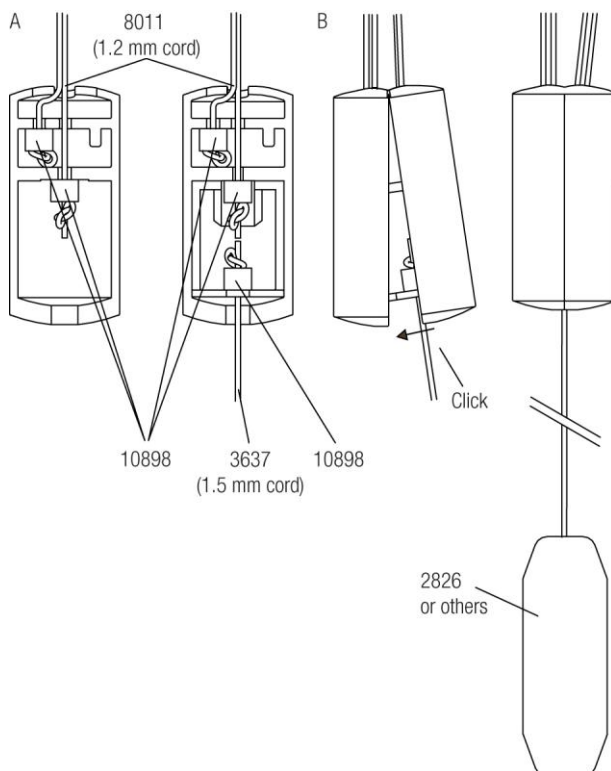
#### 2 Cords

##### A

- Cords to be insert into cord connector SG 10748 according to drawing on the left.
- Cords to be threaded into eyelet SG 10898 and then knotted (double knot).
- Eyelets to be insert into gaps.

##### B

- Click both parts of SG 10748 together



#### 3-4 Cords

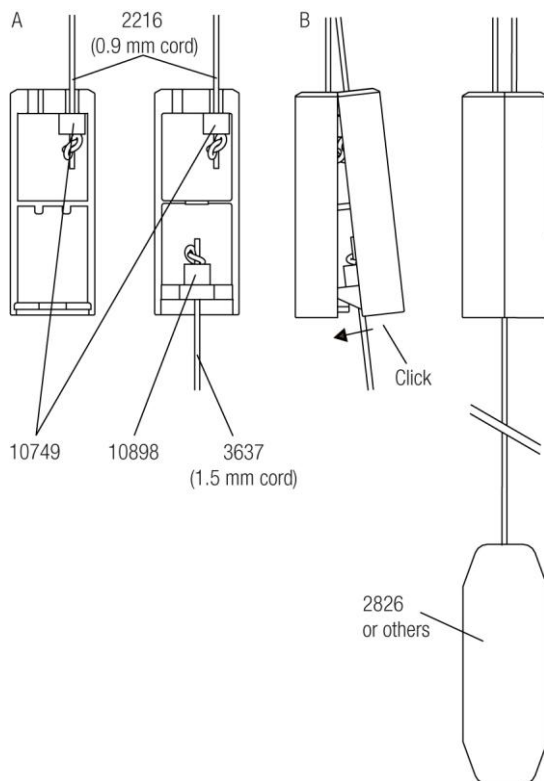
##### A

- Cords to be insert into cord connector SG 10748 according to drawing on the left.
- Cords to be threaded into eyelet SG 10898 and then knotted (double knot).
- Eyelets to be insert into gaps.

##### B

- Click both parts of SG 10748 together

## Threading of the cords with breakaway cord connector SG 10745 (SG 2090)



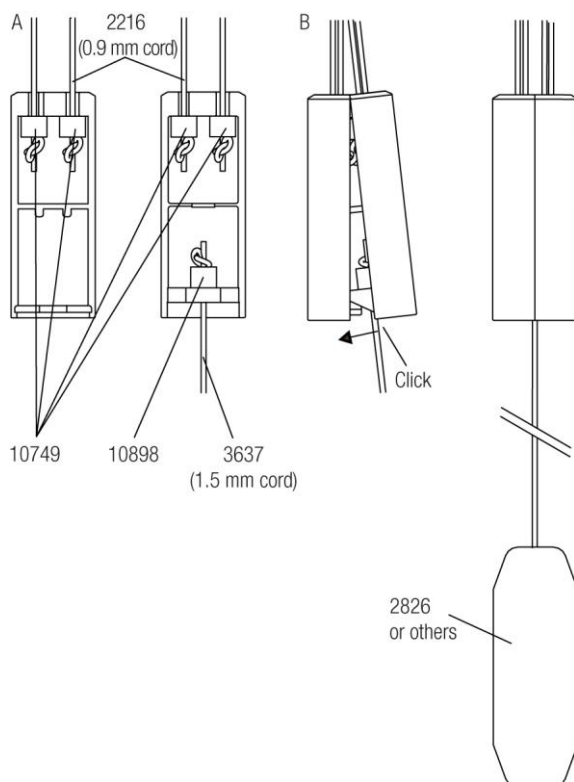
### 2 Cords

#### A

- Cords to be insert into cord connector SG 10745 according to drawing on the left.
- Cords to be threaded into eyelets SG 10749 (0.9 mm cord) and SG 10898 (1.5 mm cord) and then knotted (double knot).
- Eyelets to be insert into gaps.

#### B

- Click both parts of SG 10745 together



### 3-4 Cords

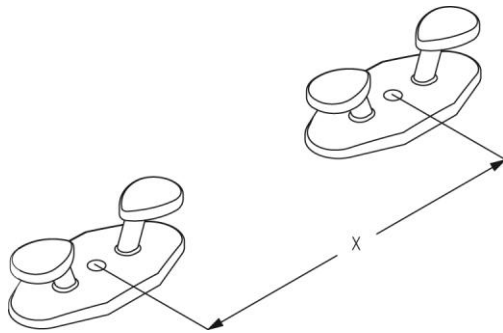
#### A

- Cords to be insert into cord connector SG 10745 according to drawing on the left.
- Cords to be threaded into eyelets SG 10749 (0.9 mm cord) and SG 10898 (1.5 mm cord) and then knotted (double knot).
- Eyelets to be insert into gaps.

#### B

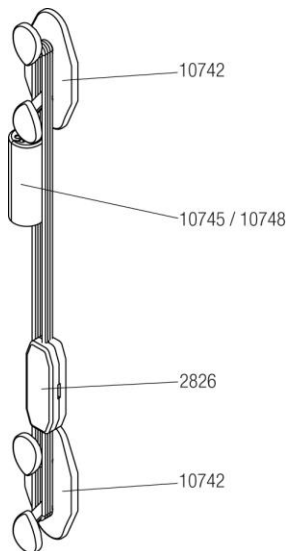
- Click both parts of SG 10745 together

### Recommended cord cleat SG 10742 positions



Product height (mm)	X (mm)
0 – 500	70
501 – 1000	140
1001 – 1500	210
1501 – 1833	280
1834 – 3000	350

### Winding the cords








Cords to be wound according to drawing on the left.

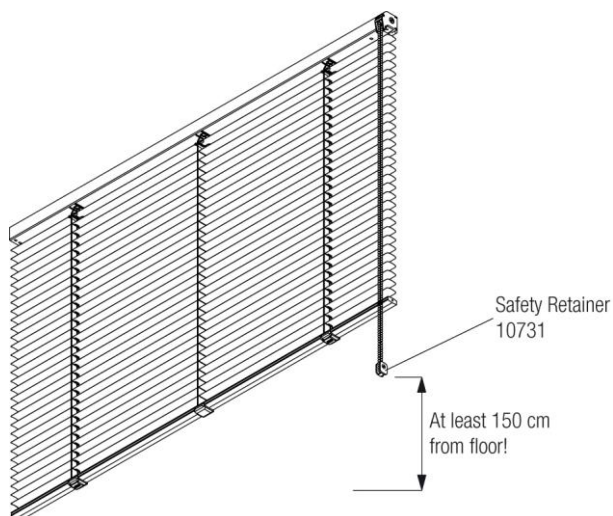
- SG 10742: Cord cleat
- SG 10745 / SG 10748: Breakaway connector
- SG 2826: Chain connector

## 9. Venetian Blind Systems

### 9.1 Overview

Product Group :	Venetian Blind Systems				
Systems:	SG 8110 SG 8300	SG 8910			
<b>Standard parts</b> (compliant with EN 13120)					
	<b>SG 8110</b>	<b>SG 8300</b>	<b>8910</b>		
 SG 10731		✓	✓		
 SG 10742	✓				
 SG 10748	✓				
 SG 10898	✓				

### 9.2 Venetian blinds with fixed tensioner “Safety Retainer SG 10731”



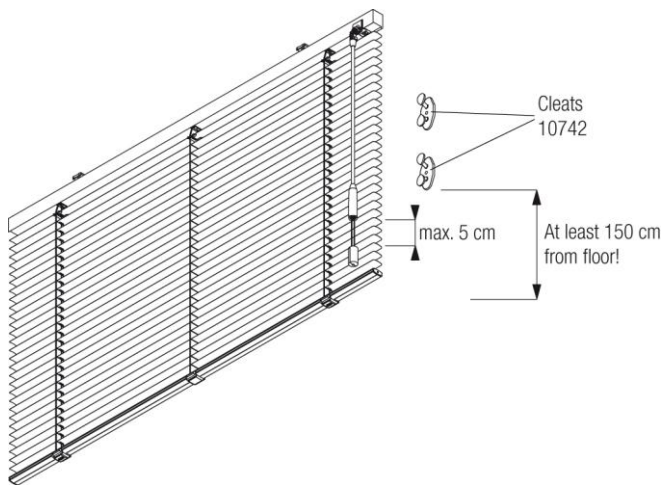
**Please note:**

System has to be installed so chain with safety retainer SG 10731 ends **at least 150 cm above floor!**

**Applicable with:**

SG 8300  
SG 8910

### 9.3 Venetian blinds with cord cleats and breakaway cord connector



**Please note:**

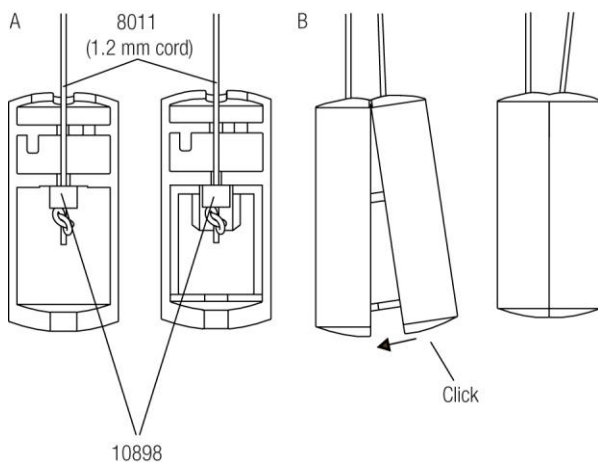
System has to be installed so cord with cord cleats SG 10742 ends **at least 150 cm above floor!**

Distance between lower end of operating wand and breakaway connector should be **max. 5 cm** when system is completely closed!

**Applicable with:**

SG 8110

### Threading of the cords with breakaway cord connector SG 10748 (SG 8110)



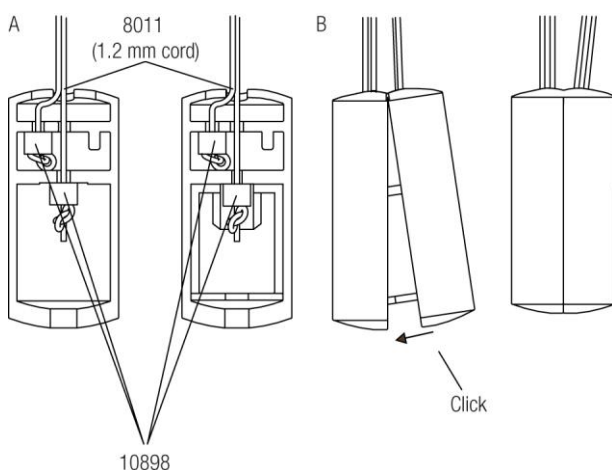
**2 Cords**

**A**

- Cords to be insert into cord connector SG 10748 according to drawing on the left.
- Cords to be threaded into eyelet SG 10898 and then knotted (double knot).
- Eyelets to be insert into gaps.

**B**

- Click both parts together



**3-4 Cords**

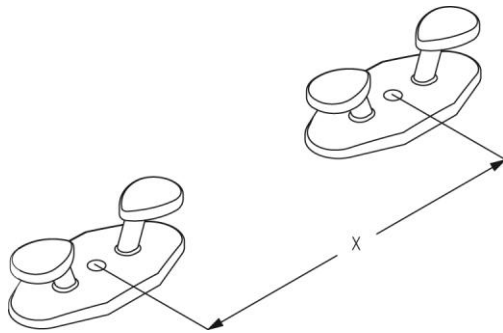
**A**

- Cords to be insert into cord connector SG 10748 according to drawing on the left.
- Cords to be threaded into eyelet SG 10898 and then knotted (double knot).
- Eyelets to be insert into gaps.

**B**

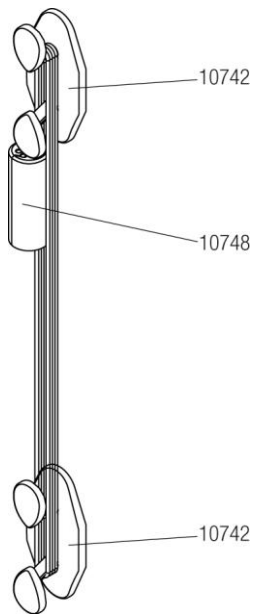
- Click both parts together

### Recommended cord cleat SG 10742 positions (SG 8110)



Product height (mm)	X (mm)
0 – 500	70
501 – 1000	140
1001 – 1500	210
1501 – 1833	280
1834 – 3000	350

### Winding the cords





Cords to be winded according to drawing on the left.

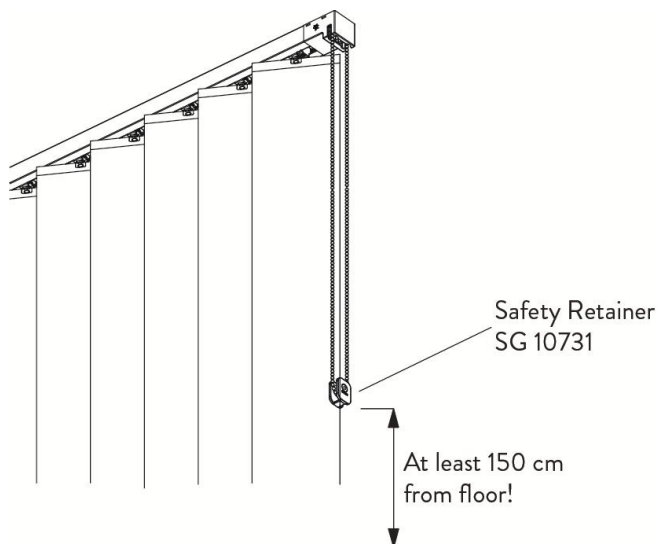
- SG 10742: Cord cleat
- SG 10748: Breakaway connector

## 10. Vertical Blind Systems

### 10.1 Overview

Product Group :	Vertical Blind Systems	
Systems:	SG 2910	
<b>Standard parts</b> (compliant with EN 13120)		
		<b>SG 2910</b>
 SG 10731		✓

### 10.2 Vertical blinds with fixed tensioner “safety retainer SG 10731”



**Please note:**

System has to be installed so chain with safety retainer SG 10731 ends **at least 150 cm above floor!**

**Applicable with:**

SG 2910



[www.silentgliss.com](http://www.silentgliss.com)